



DATASHEET

MAGPOT

LINEAR POTENTIOMETER SERIES



EXTREME PRECISION



HIGH OPERATING SPEED



EASY MOUNTING



ELEGANT DESIGN



MAINTENANCE FREE



HIGH PROTECTION RATE



EXTREMELY QUIET OPERATION



CUSTOMIZABLE



COMPACT SIZE

Robust & Precise

The MAGPOT is a low impedance linear position transducer that combines a robust design with high quality built-in in order to guarantee high precision and durability under harsh conditions.

The transducer is a highly customizable device offering a perfect solution for a wide range of applications.

Its straight sleek lines and anodized black finish give it a modern and elegant appeal easy to include in any design.

Main Features

- Linear position transducer
- Standard output voltage: 0.3-3.3 VDC \pm 3 %
- Supply voltage: 4.5 - 5.5 VDC
- Resolution: infinite
- Current consumption: < 2 mA
- Protection class: IP54
- Aluminum housing rustproof KTL protected
- Standard color: black

Applications

- Industrial automation
- Consumer appliances
- Safety equipment
- Household automation equipment
- Automotive
- Robotics
- Toys

Customizable

- Output voltage
- Travel lengths
- Independent linearity
- Connectors
- Cable lengths
- Mounting shoe
- Brackets
- Color

Technical Specifications

Electrical Specifications

Supply voltage	4.5 - 5.5 VDC
Output voltage	0.3-3.3 VDC \pm 3 %
Current consumption	< 2mA
Effective Electrical Travel	172 mm
Resolution	Infinite
Independant Linearity	\pm 5%
Hysteresis	3 mm
Cable Length	420 mm (PVC)
Connector type	Molex 43025-0400

Environmental Specifications

Operating temperature	-20 °C to 85 °C
IP Rating	IP54

Mechanical Specifications

Life Cycle	>1 Million
Housing material	Aluminium 6060 T5 rustproof KTL protected
Shoe	50 mm runner shoe with two M4 mounting holes
Color	Black

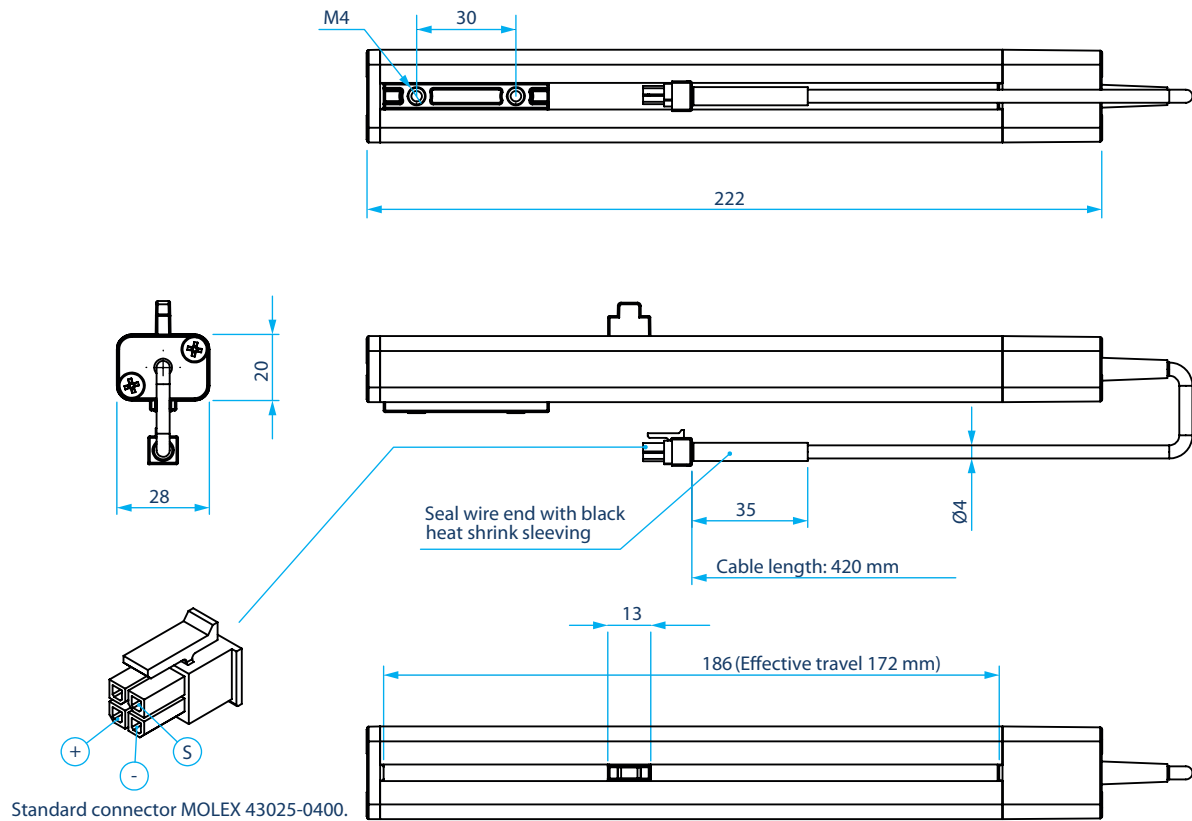
Customizable configurations

Customizable configurations upon request.

	Standard configuration	Custom configuration
Output voltage	0.3 - 3.3 VDC \pm 3 %	Customized
Effective travel length	172 mm	12.5, 25, 100, 172, 200, 300, 400, 500, 750 or 1000 mm
Independant linearity	\pm 5%	\pm 5 % or \pm 3 %
Cable lenght	420 mm (PVC)	Customized
Connector type	Molex 43025-0400	Customized
Sliding bracket	1 (50 mm) with two mounting holes (M4)	Customized
Color	Black	Customized

Please contact info@regner.es
for customized configurations.

Dimensions



Details



Magnetic cursor.

Sliding bracket.

Black finish aluminum housing.

Molex 43025-0400 connector.

Quality

Forging ahead to achieve high quality

- We apply high quality components, semi-automatic production and rigorous testing to verify and validate each motion control solution before leaving our premises. Our continuously audited management systems ensure optimized agile manufacturing. All these measures make for high quality products.

MAGPOT Quality control

- Every single MAGPOT goes through a strict quality control before leaving production in order to guarantee an optimum performance and durability.

Quieta
Durable
Safe
Easy
Elegant
Customizable
Reliable
Robust
Precise

